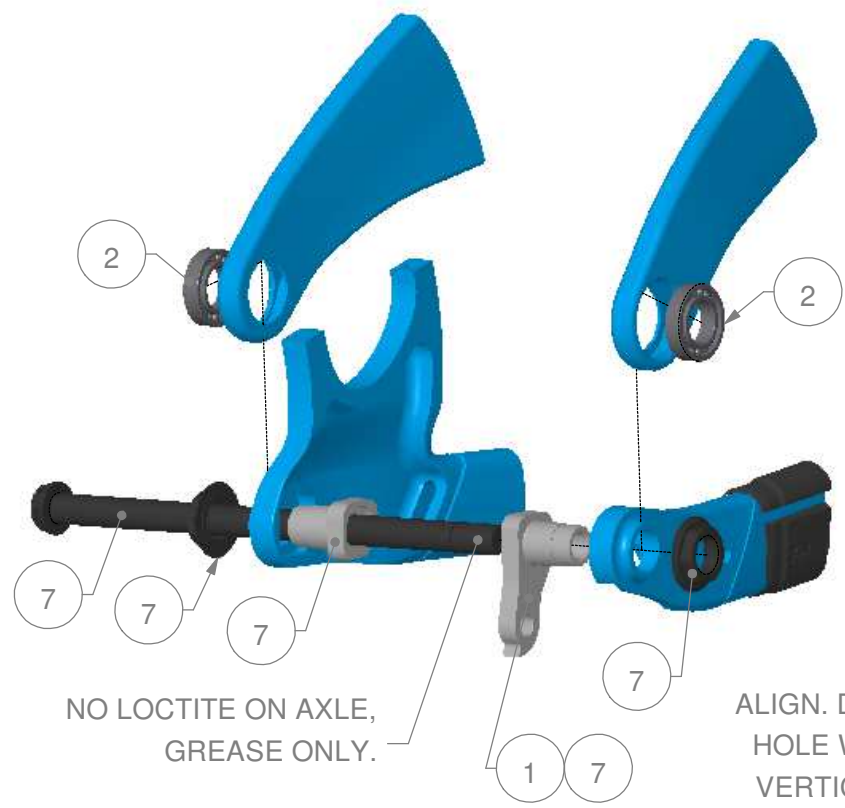
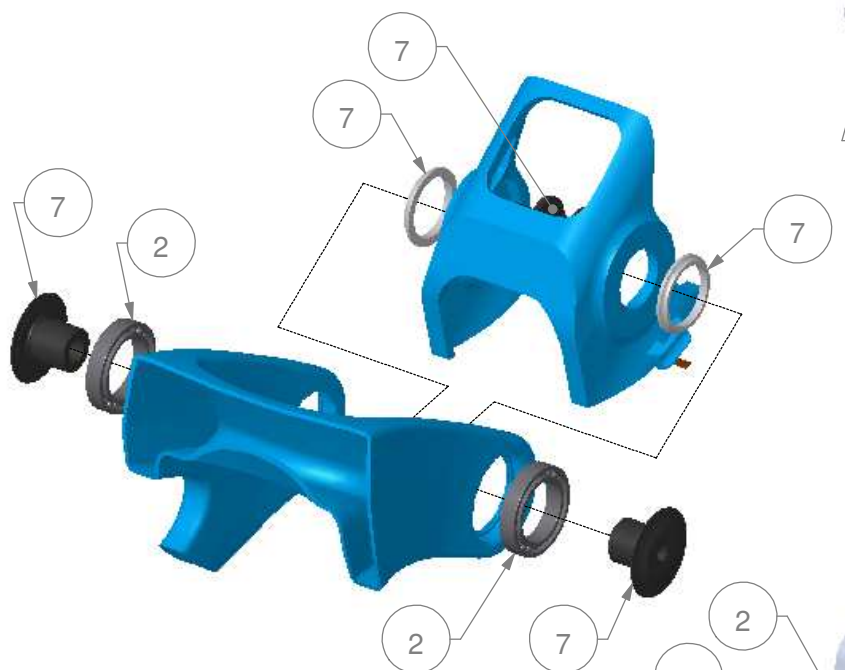


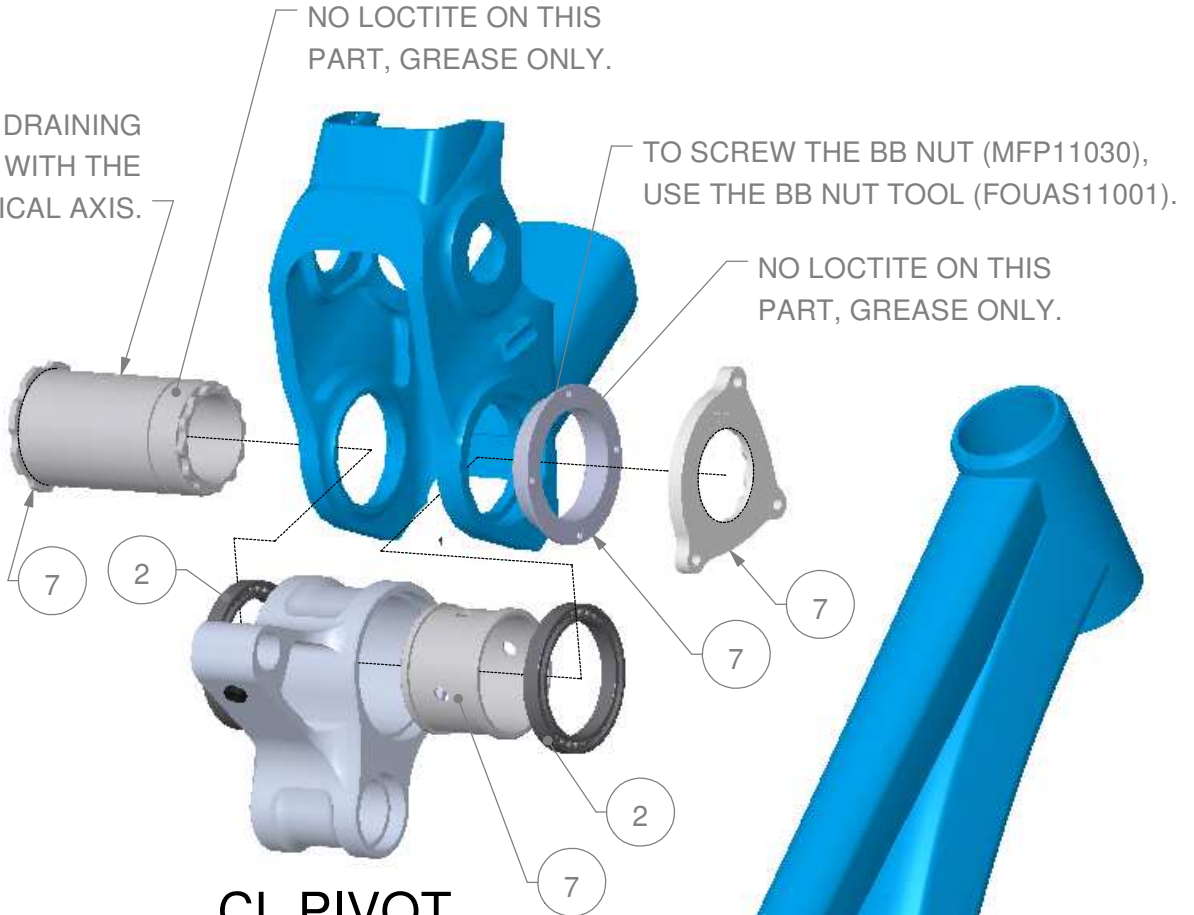
WILSON 29		
ITEMS	#SERVICE KIT	DESCRIPTION
1	KFC11051	Derailleur Hanger Split Pivot
2	KFC19026	Bearing kit Wilson 29
3	KFC19027	CS/SS Protector kit Wilson 29
4	KFC15019	Carbon skidplate/bolt kit Wilson 27.5
5	KFC19028-01	SplitPivot Wlsn 29 Alloy Shock bolt Bk
6	KFC19029	ShockExtension Wilson 29 Charcoal
7	KFC19030-01	Pivotkit Shaft Wilson 29 Alloy Black



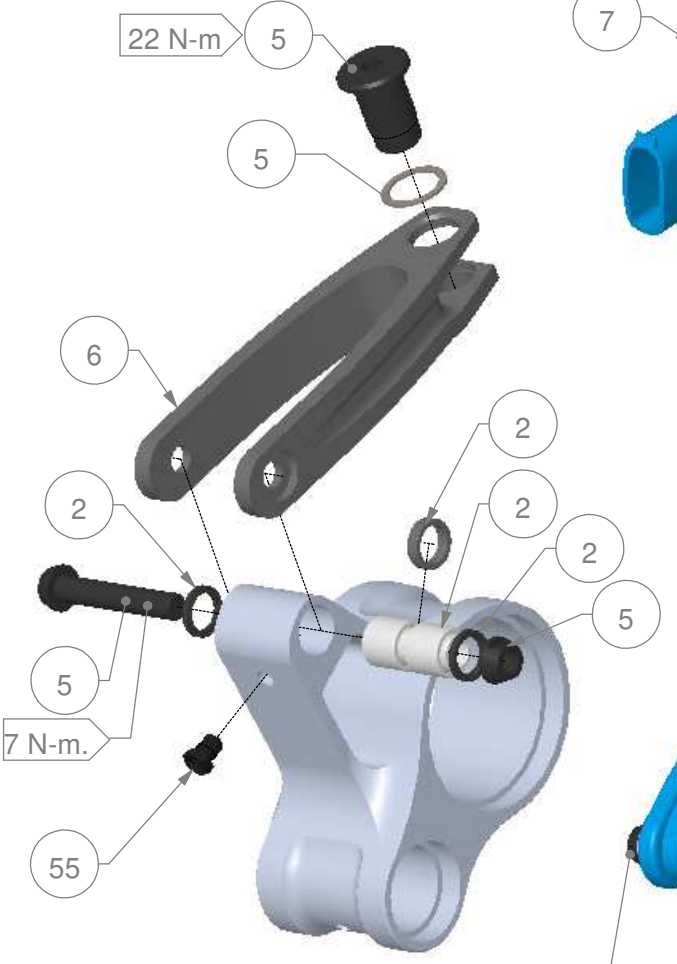
DO PIVOT



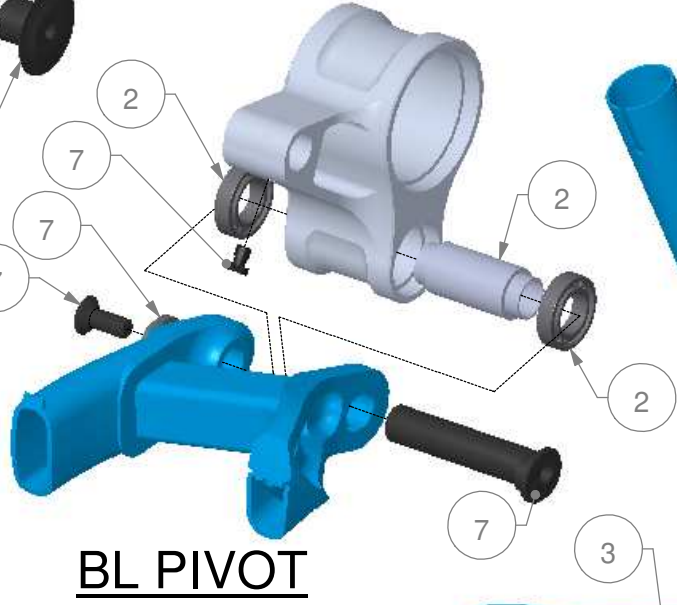
WL PIVOT



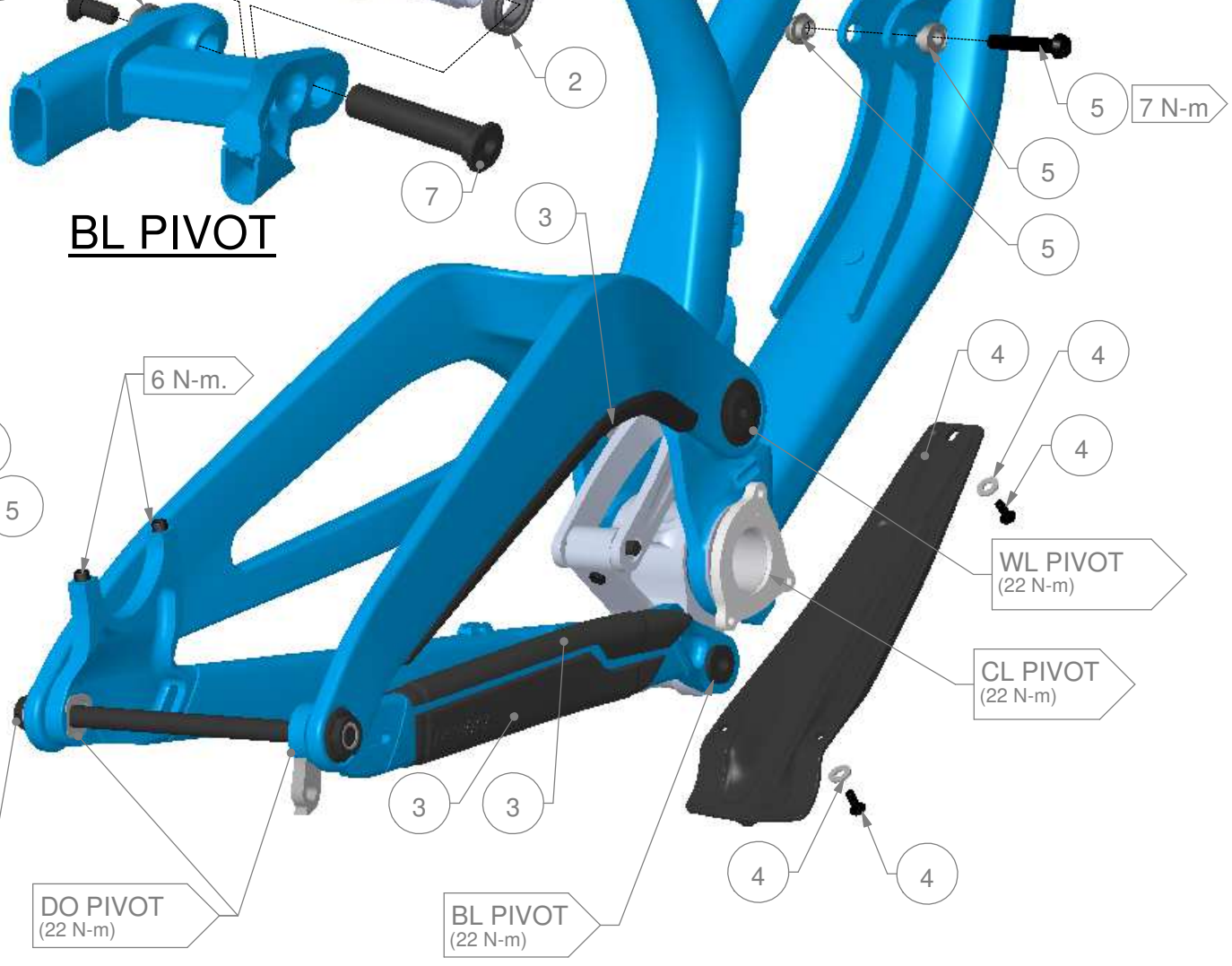
CL PIVOT



SHOCK PIVOT



BL PIVOT



WILSON 29

Carbon
2019 - Current

Frame

Axle Length:	n/a
Rear Hub Spacing:	12 x 157 mm
Chain Guide:	ISCG 05
Recommended Fork Offset:	56 mm, 58 mm
Seat Post Diameter:	31.6 mm
Seat Collar Diameter:	35 mm
Upper Headset:	ZS 49
Lower Headset:	ZS 49
Rear Brake:	Direct Mount 200mm

Drivetrain

Crankset type:	DH
Minimum Q-Factor:	167.8 mm
Chain Line:	52 mm
Minimum Chain Ring:	28T
Maximum Chain Ring:	38T
Bottom Bracket:	BSA 83 mm

Rear Shock

Dimension:	250 mm x 75 mm
Piggy Back Compatibility:	YES
Coil Shock Compatibility:	YES
Upper Hardware:	8 mm x 25 mm
Lower Hardware:	15 mm x CUSTOM NO BUSHING

For more information contact service@devinci.com