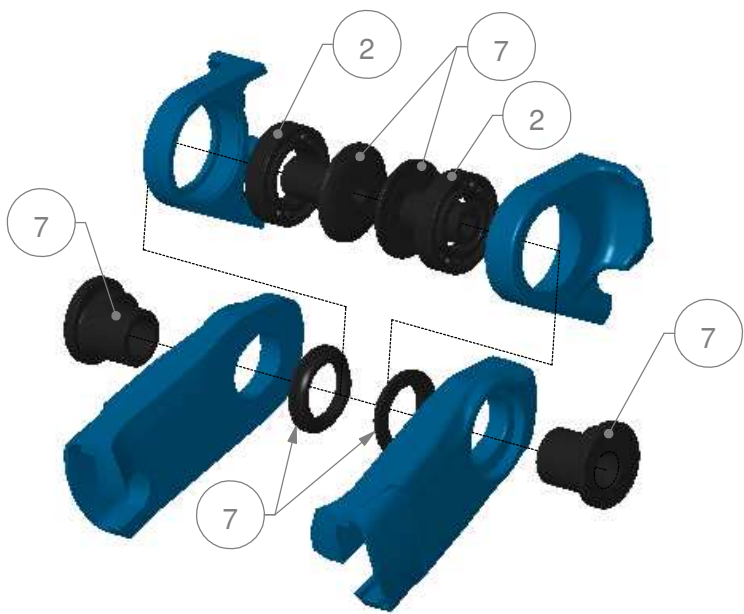
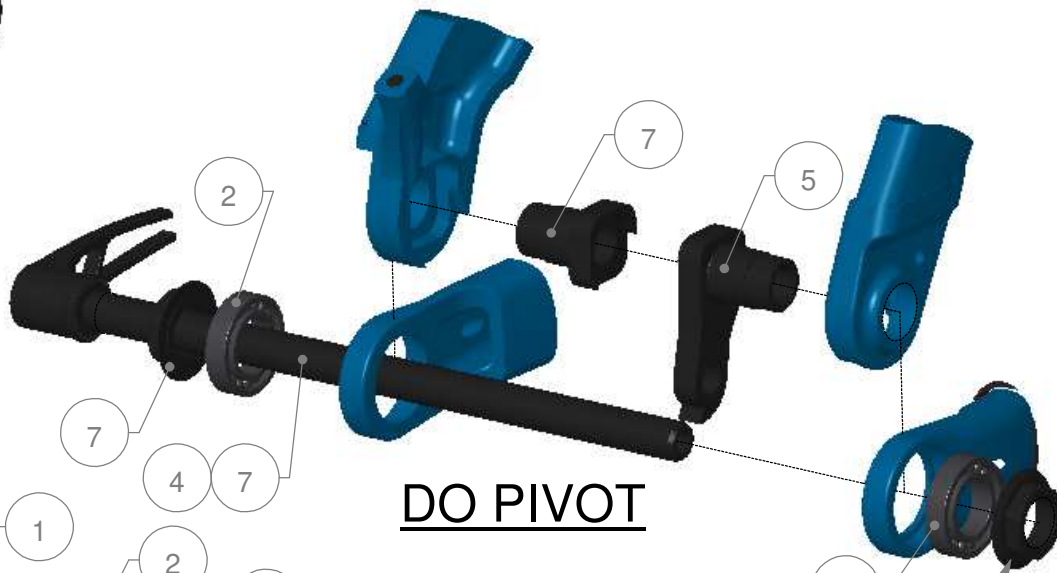


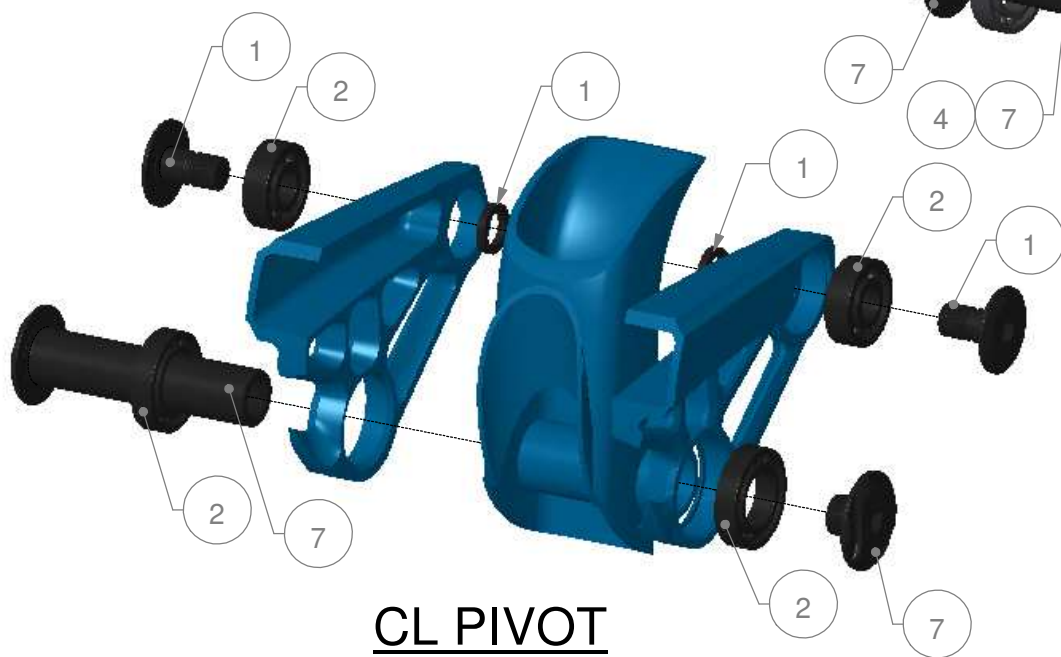
SPARTAN 29		
ITEMS	#SERVICE KIT	DESCRIPTION
1	KFC18015-01	Spartan Alloy 27 Shock bolt Black
2	KFC18003	Bearing kit Spartan 27 2018+
3	KFC19005	Protector kit Spartan Alloy 29
4	KFC19010	Rear Axle SuperBoost157*12mm/209.5mm
5	KFC11051	Derailleur Hanger SplitPivot
6	KFC18016	Cable Guide kit Spartan Alloy
7	KFC19006-01	Pivotkit Shaft Spartan Alloy 29 Black
8	KFC19047	Spacer/Bolt Kit SB157 ChainGuide



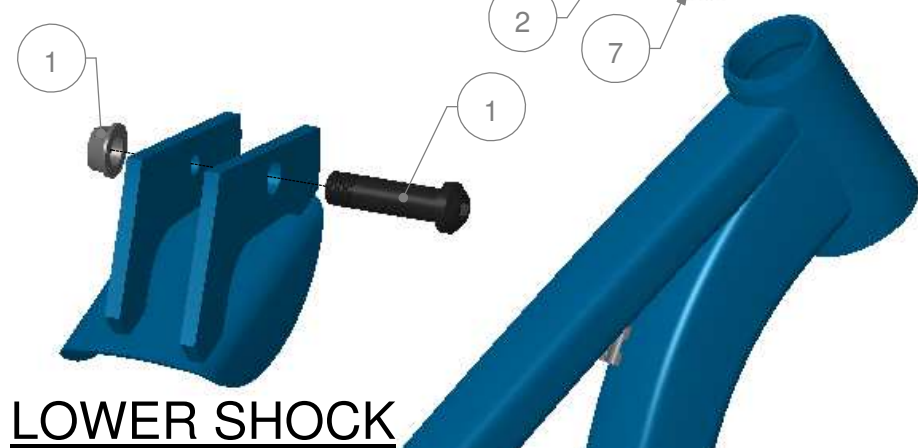
BL PIVOT



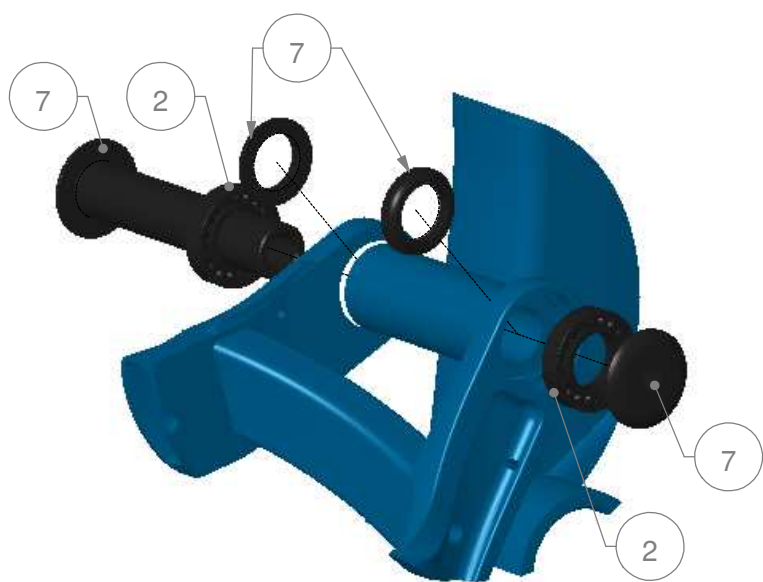
DO PIVOT



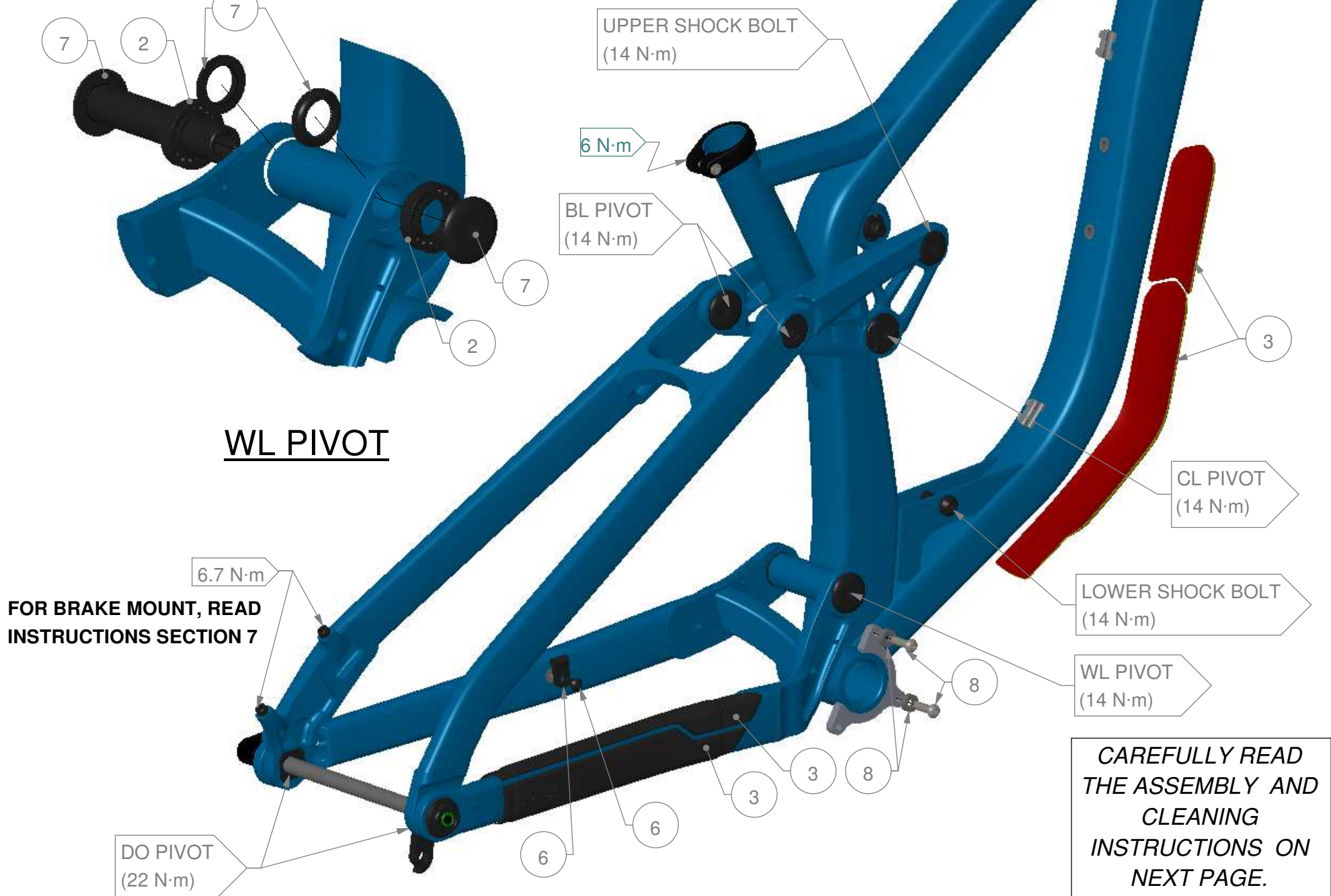
CL PIVOT



LOWER SHOCK



WL PIVOT



ASSEMBLY INSTRUCTIONS:

- 1- THOROUGHLY CLEAN THE INTERIOR OF EACH BEARING HOUSING TO REMOVE DIRT OR OLD GREASE;
- 2- APPLY HIGH QUALITY WATERPROOF GREASE ON THE INSIDE FACE AND OUTSIDE DIAMETER OF ALL BEARING HOUSINGS BEFORE PRESS-FIT;
- 3- APPLY HIGH QUALITY WATERPROOF GREASE TO ALL PIVOT PARTS THAT CONTACT WITH THE INNER DIAMETER OF THE BEARINGS.
- 4- APPLY HIGH QUALITY WATERPROOF GREASE TO ALL NON-THREADED METAL-TO-METAL INTERFACES (EX.: PLANAR FACE OF THE PIVOT SPACER THAT CONTACTS THE LATERAL FACES OF THE FRONT TRIANGLE WL PIVOT). THESE INSTRUCTIONS ALSO APPLY TO THE SHOCK ASSEMBLY;
- 5- UNLESS OTHERWISE SPECIFIED, APPLY BLUE LOCTITE 242 ON ALL THREADS BEFORE ASSEMBLY TO THE SPECIFIED TORQUE VALUE;
- 6- TO PREVENT DAMAGE TO THE FRAME, THE SEATPOST MUST HAVE A MINIMUM INSERTION IN THE SEAT TUBE.

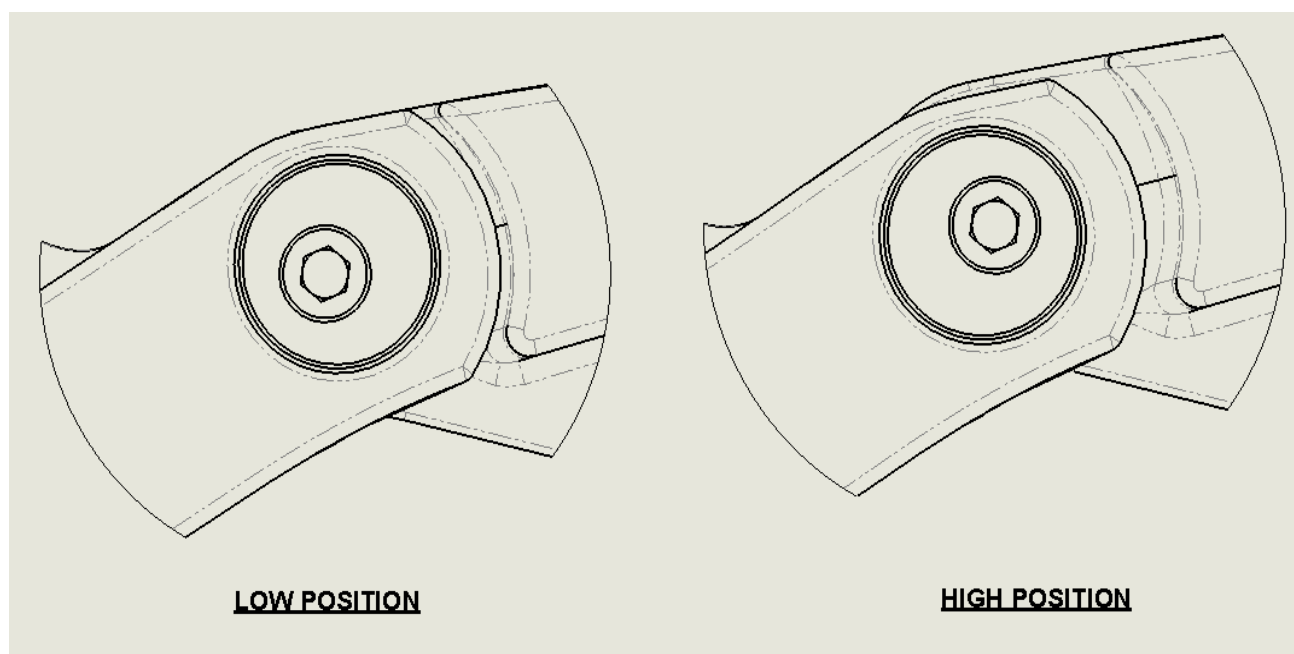
ALUMINIUM FRAME:

SMALL / MEDIUM / LARGE / X-LARGE - 100mm INSERTION

*ALWAYS VERIFY CONNECTOR CLEARANCE BEFORE FULLY INSERTING A DROPPER POST.

7- REAR BREAK MOUNT: DURING THE ASSEMBLY, YOU WILL NOTICE THAT THE NATURAL BEND OF THE BRAKE CABLE MAY COME IN CONTACT WITH THE WHEEL'S SPOKES OR THE FRAME. WE SUGGEST TO GIVE A FULL ROTATION OF THE BRAKE BEFORE MOUNTING IT. IT WILL GIVE A TWIST TO THE CABLE AND PREVENT POTENTIAL CONTACTS.

8- FRG ADJUSTABLE: THIS DESIGN ALLOWS RIDERS TO CHOOSE BETWEEN A LOW OR HIGH POSITION. WITH FRG ADJUSTABLE TECHNOLOGY, YOU CAN FINE-TUNE YOUR RIDE TO PERSONAL TASTES OR SPECIFIC TRAIL TYPES USING A FLIP PIVOT MECHANISM THAT SLIGHTLY CHANGES THE BIKE'S GEOMETRY AS SHOWN BELOW.



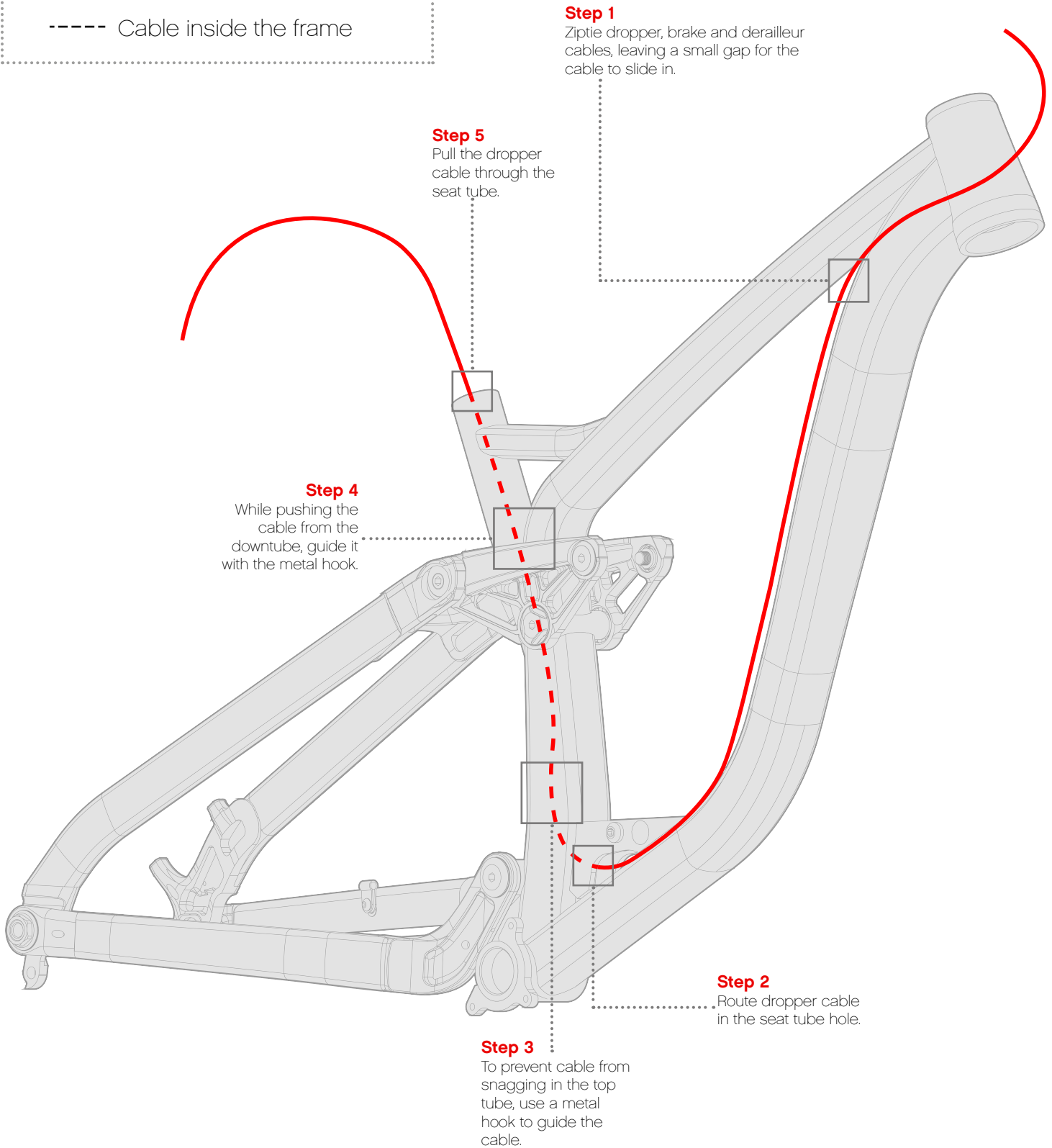
CLEANING INSTRUCTIONS:

IT IS A WELL KNOWN FACT THAT A CLEAN BIKE PERFORMS BETTER. DEVINCI RECOMMENDS WASHING YOUR BIKE REGULARLY USING A BRUSH AND SOAPY WATER. HOWEVER, DEVINCI DO NOT RECOMMEND THE USE OF A PRESSURE WASHER, SINCE THIS MAY SIGNIFICANTLY REDUCE THE SERVICE LIFE OF BALL BEARINGS. EVEN THOUGH OUR BALL BEARINGS ARE EQUIPPED WITH HIGH QUALITY DOUBLE-LIP SEALS, HIGH PRESSURE WATER CAN STILL PASS THESE SEALS AND REMOVE THE GREASE INSIDE THE BEARING. THIS MAY CAUSE PREMATURE CORROSION AND WEAR OF THE BALL BEARINGS.

DEVINCI

DROPPER POST CABLE ROUTING INSTRUCTIONS

- Seatpost cable
- Cable outside the frame
- - - Cable inside the frame



Step 1

Ziptie dropper, brake and derailleur cables, leaving a small gap for the cable to slide in.

Step 5

Pull the dropper cable through the seat tube.

Step 4

While pushing the cable from the downtube, guide it with the metal hook.

Step 2

Route dropper cable in the seat tube hole.

Step 3

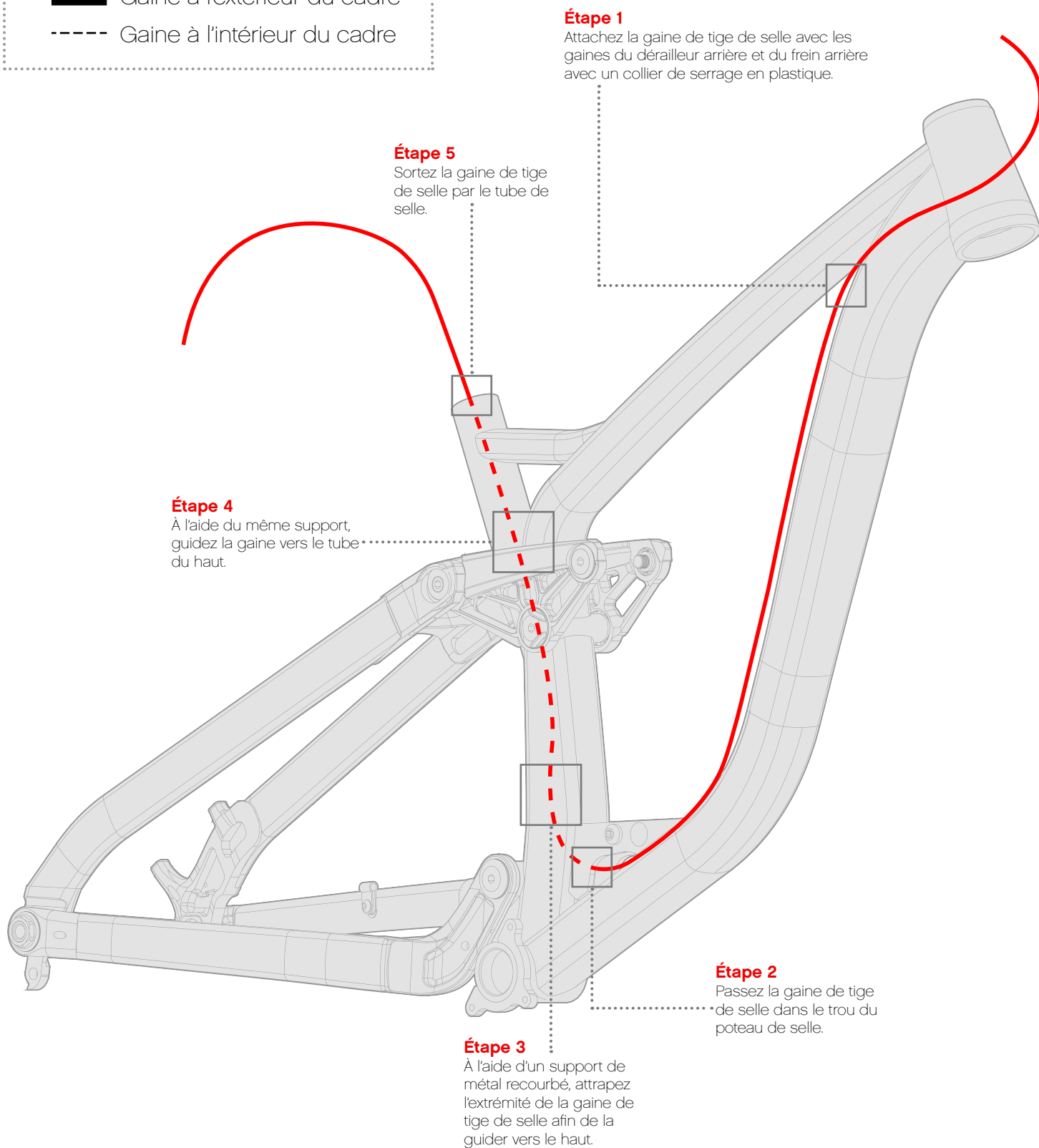
To prevent cable from snagging in the top tube, use a metal hook to guide the cable.



DEVINCI

GAINE DE TIGE DE SELLE

-  Gaine de tige de selle
-  Gaine à l'extérieur du cadre
-  Gaine à l'intérieur du cadre



SPARTAN 29

Carbon / Aluminum

2019 - Current

Frame

Axle Length:	209mm
Rear Hub Spacing:	12 x 157 mm
Chain Guide:	ISCG 05
Recommended Fork Offset:	44 mm, 42mm
Seat Post Diameter:	31.6 mm
Seat Collar Diameter:	37 mm / 35 mm
Upper Headset:	ZS 44/28
Lower Headset:	ZS 56/40
Rear Brake:	Direct Mount 180mm(CR) 160mm (Alu) / MAX 200mm

Drivetrain

Crankset type:	SuperBoost 1X
Minimum Q-Factor:	173 mm
Chain Line:	56.5 mm
Minimum Chain Ring:	28T
Maximum Chain Ring:	38T
Bottom Bracket:	BSA 73 mm

Rear Shock

Dimension:	205 mm x 65 mm
Piggy Back Compatibility:	YES
Coil Shock Compatibility:	YES
Upper Hardware:	Trunnion
Lower Hardware:	10 mm x 20 mm

For more information contact service@devinci.com